

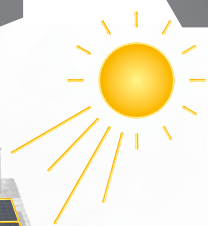
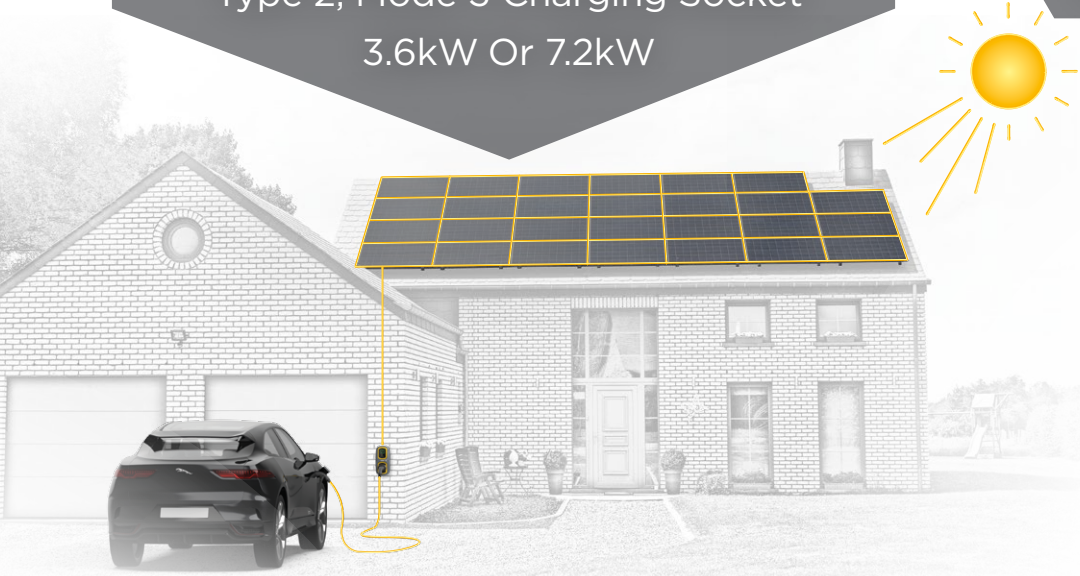
WALLPOD:EV SOLARCHARGE

POWERED BY THE SUN

Type 2, Mode 3 Charging Socket
3.6kW Or 7.2kW

ROLEC EV

MANUFACTURED IN THE UK



SAVE MONEY



REDUCE YOUR
CARBON FOOTPRINT



WALLPOD:EV SOLARCHARGE
Socket (Type 2) Charging Unit

The WALLPOD:EV SolarCHARGE is a cost-efficient EV charging unit which has been designed to benefit homeowners who have, or intend to install, a solar generation system.

By combining all of the 'nation's favourite' WallPod:EV features with the added ability to monitor and respond to solar generation levels, the unit enables the homeowner to charge their EV from their PV.

This Mode 3 fast charging unit is compatible with all current PHEVs and EVs, and features two charging modes (Solar or Solar + Grid) which enable it to communicate Grid and solar consumption to the end user via a digital display screen.

The WALLPOD:EV SolarCHARGE is also able to operate as a stand-alone EV charger, allowing the homeowner to install it and charge purely from the Grid in anticipation of a future PV installation.

PRODUCT FEATURES

- IEC 61851-1 Mode 3 fast charging
- IEC 62196 (Type 2) charging socket
- Charging speeds - 3.6kW (16A) & 7.2kW (32A)
- Built in backlit 2.4" LCD display screen
- Built in 2 mode selection button (Solar Only or Solar + Grid)
- Summary feature providing charging history, CO₂ saved, etc.
- Monitors & tracks solar generation via the current transformer (CT) & data cable
- Built in DC sensitive protective device, electrical contactor & class 1 MID compliant kWh meter
- Supplied with external overload and fault current protection (RCBO)
- Certificated by the BSI as safe to use in the domestic environment
- Easy to install and maintain
- IP65 Weatherproof & UV stabilised
- Corrosion resistant, fire retardant & impact resistant design
- CE certified



Charge Your EV
From Your PV



2 Charging
Modes



Safety in the
Home Certified



Colour Options
Available



Flame
Retardant

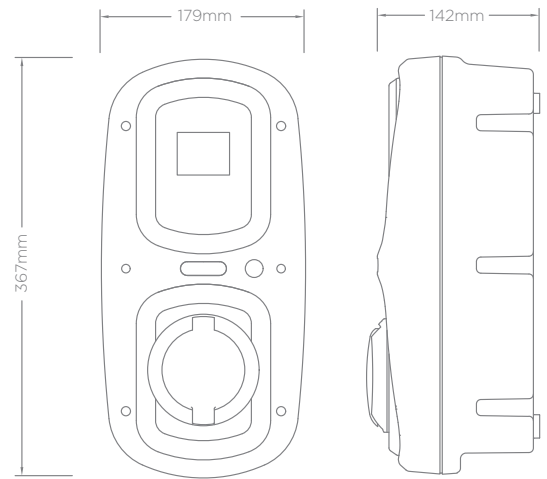


IP65 Weather Proof
& UV Stabilised

SPECIFICATIONS

PHYSICAL

Dimensions	179mm x 367mm x 142mm (W x H x D)
Standard Base Colour	Anthracite Grey (Other colours available upon request)
Standard Pod Colour	Yellow (Other colours available upon request)
Unit Material	Polycarbonate (303 EP-22)
Operating Temperature	-20°C to +40°C
Certifications & Compliances	BSI Certified - BS EN 60335-1 Wiring Regulations - BS 7671 (18th Edition) IET EV Regulations, Glow Wire Testing - IEC 60695-2-13 EMC Compliance - EN 61000-6-3:2007, EN 61000-6-2:2005 Safety Compliance - EN 60950-1:2006, EN 60950-22:2006, Low Voltage Directive (LVD) 2014/35/EU Environmental Protection - IP65 (Category 1) Weatherproof BS EN 60529, UL94 Flame Rating at V2 for 1.5mm and 3.0mm



ELECTRICAL

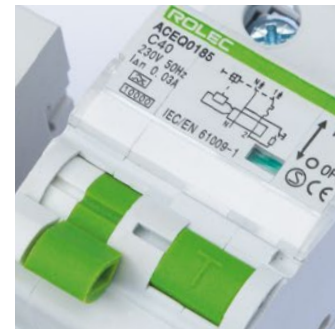
Product Code	EVCS2010	EVCS2020
Charging Socket	IEC 62196 (Type 2)	
Rated Output	3.6kW	7.2kW
Rated Current	16A	32A
Charge Protocol	Mode 3	
EV Charging Compliance	EN 61851-1:2001, EN 61851-21:2002, EN 61851-22:2002	
Input Voltage	230V AC/50Hz (Single Phase)	
Overload & Fault Current Protection	External 20A, 30mA Type A RCBO & Built-in 6mA DC Sensitive Device	External 40A, 30mA Type A RCBO & Built-in 6mA DC Sensitive Device
Incoming Cable Terminals	16mm earth	

DISPLAY

Screen	Backlit colour 2.4" LCD
Resolution	240px x 320px
Data Storage	On-board Micro SD slot (inc. 1GB Micro SD Card)

OPTIONS & ACCESSORIES

- Key switch override
- Corporate branding (colours, logo badge, etc.)
- EV charging cables (Type 1 to Type 2 or Type 2 to Type 2)



Images are for marketing purposes only and are not contractual © 2019



Head office contact:
t: +44 (0) 1205 724754
f: +44 (0) 1205 724876
rolec@rolecserv.co.uk

Rolec Services Ltd
Ralphs Lane, Frampton West
Boston, Lincolnshire
UK. PE20 1QU

EVWPCSD-01
@RolecEV
www.rolecserv.com